



LF 1400

HIGH LEVEL OF SECURITY FOR YOUR SAMPLES, DUE TO THE GREAT COOLING PERFORMANCE WITH AIR FORCED COOLING.

Automatic defrost saves you time to focus on what's most important and stores the samples safely.



AVAILABLE IN
ATEX



AIR FORCED
COOLING



FILTERLESS
CONSTRUCTION

STAINLESS STEEL & SPARK FREE

The unit is available with stainless steel AISI 304 Exterior, so that the interior and exterior is made entirely of stainless steel, providing a stronger more resistant unit.

This unit can be made in an ATEX version – approved according to EN 60079-15 category 3, zone 2. CE EX 11-/3 G

FLEXIBLE STORAGE SOLUTIONS

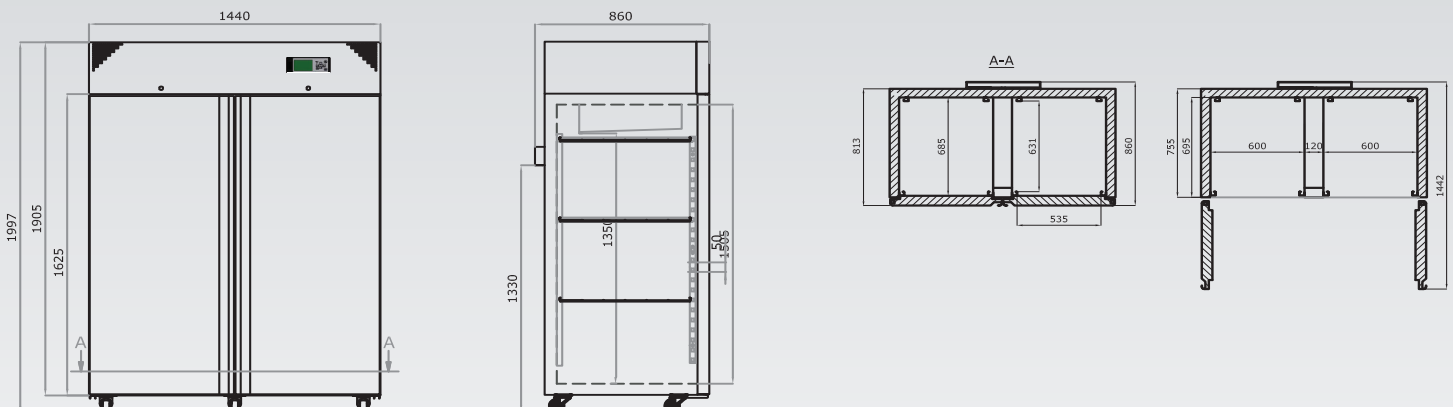
Arctiko's LF range is a highly customizable allowing you to choose between a wide range of universal shelves and drawers.

This allows the user to organize their unit exactly as desired. Our universal shelf and drawer guides allow you to mix shelves and drawers for flexible storage.

GREAT COOLING PERFORMANCE

Air forced cooling provides superior temperature uniformity and stability. Forcing the airflow around the shelves and the stored items, ensures that all parts of the unit is equally cold and avoids any cold or hot spots. Distributed by a powerful fan and open air flow areas along the sides, the air is always distributed evenly throughout the fully loaded unit.

MAIN DIMENSION FOR LF 1400



MAIN SPECIFICATIONS

Item code	DAI 0275 / DAI 0276
Temperature range (°C)	-10 / -30
Max. ambient temperature (°C)	25
Capacity (L)	1361
Exterior dimensions WxDxH (mm)	1440x860x1997
Interior dimensions WxDxH (mm)	1320x685x1505
Weight (KG)	195
Insulation (mm)	60
Cooling technology	air forced
Controller model / probe type	G214 / PT1000

POWER

Power supply (V)	230*
Frequency (Hz)	50
Power consumption (kWh/24H)	18,1
AMP (A)	4,9
Power (Watt)	964
Horse power (HP)	11/4

ALARM FUNCTIONS

Alarm display as text - not codes	yes
Visual / acoustic alarm	yes / yes
Power failure alarm	yes
Adjustable high / low temperature alarm	yes / yes
Open door alarm	yes
Probe failure alarm	yes
Low battery alarm	yes
Compressor failure alarm	no
Battery backup for alarms (approx. hrs.)	72

DATA LOGGING & EXTERNAL CONNECTION

Voltage free contact for remote alarm (e.g. GSM alarm module)	yes
Electronic data logger	yes
RS 485 port	yes
USB port for software update & data download	yes
Temperature chart recorder	optional

DISPLAY FEATURES

Display type	4,3" with touch buttons
Number of optional reference probes	2
Password protection for turning unit on / off	yes
Temperature graph on display	yes

OTHER FEATURES

Automatic defrost	yes
Antifreeze function	no
Vacuum release port	no
Access port for external probe etc. (int. diameter mm)	12
Light	no
Lock with key	yes
Castors (total pcs) / castors with brake (pcs)	5 / 3
Fixed feet (pcs) / levelling feet (pcs)	no
Sub lids / inner doors (pcs)	no
Reversible door(s)	yes
Fixed shelves (pcs) / adjustable shelves (pcs)	0 / 6
Max. no. of shelves (pcs) / recommended max. no. of shelves (pcs)	46 / 22
Max. load per shelf (kg)	30
Adjustable drawers (pcs)	optional
Max. no. of adjustable drawers (pcs)	16
Max. load per adjustable drawer (kg)	30

REFRIGERATION & CABINET

Number of compressors	1
Refrigerant	R290
Interior cabinet material	stainless steel
Exterior cabinet material	painted steel / stainless steel
Colour (exterior cabinet)	white / stainless steel
Foam type	polyurethane
VIP vacuum insulated panels	no

SHIPPING

Shipping weight (KG)	278
Shipping dimensions WxDxH (cm)	156x101x220
Shipping volume (m ³)	3,47

*110V/60Hz available as option

OPTIONAL ACCESSORIES

GSM alarm module
Temperature chart recorder
Shelves (perforated, wire plastic coated, wire stainless steel)
Drawers (stainless steel)
Modbus adapter
Voltage stabilizer
Voltage converters
LED light

Arctiko A/S

Oddesundvej 39 · DK-6715 Esbjerg N · Phone: +45 7020 0328
info@arctiko.com ■ arctiko.com



Intertek

Intertek